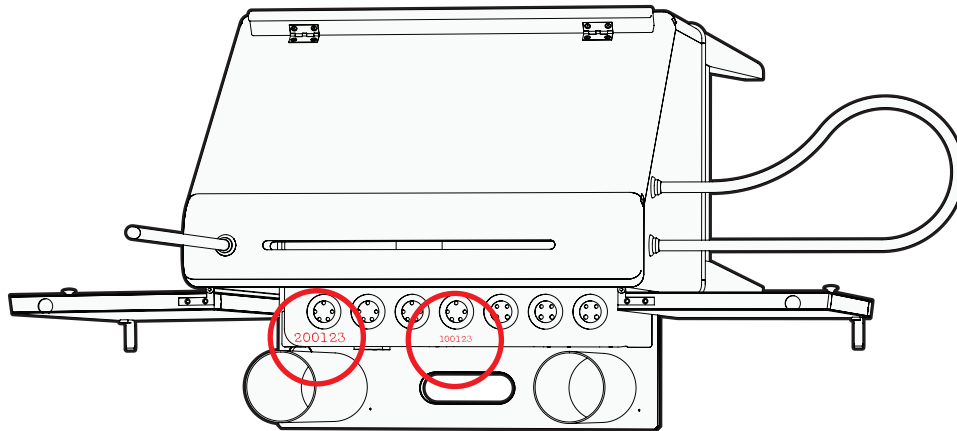


LOCATING THE SERIAL NUMBER AND CABINET NUMBER ON AN RCA THEREMIN

SERIAL NUMBER

The six digit serial number is stamped in one of two places on the brown metal chassis depending on whether the theremin was made by Westinghouse or General Electric subcontractors. Westinghouse serial numbers begin with 200 and are located in front of the UY-227 tube socket behind the taller coil form. GE serial numbers begin with 100 and are located in front of the middle UY-227 tube socket in very small numbers. The minuscule size of the GE number embossing and its apparent hand-stamped qualities can make it very difficult to read. Good lighting and magnification can help avoid errors.

If the theremin is a Westinghouse, it may be easier to read the serial number behind the tall coil if you slide the chassis board out partially. Remove the two screws that secure the outer ends of the board (if present), and mind the cables. To avoid possible damage, do not slide the shelf more than needed to view the serial number; approximately four inches should be sufficient. Note that there are no stops to prevent dropping or tipping the shelf if it is drawn out too far.

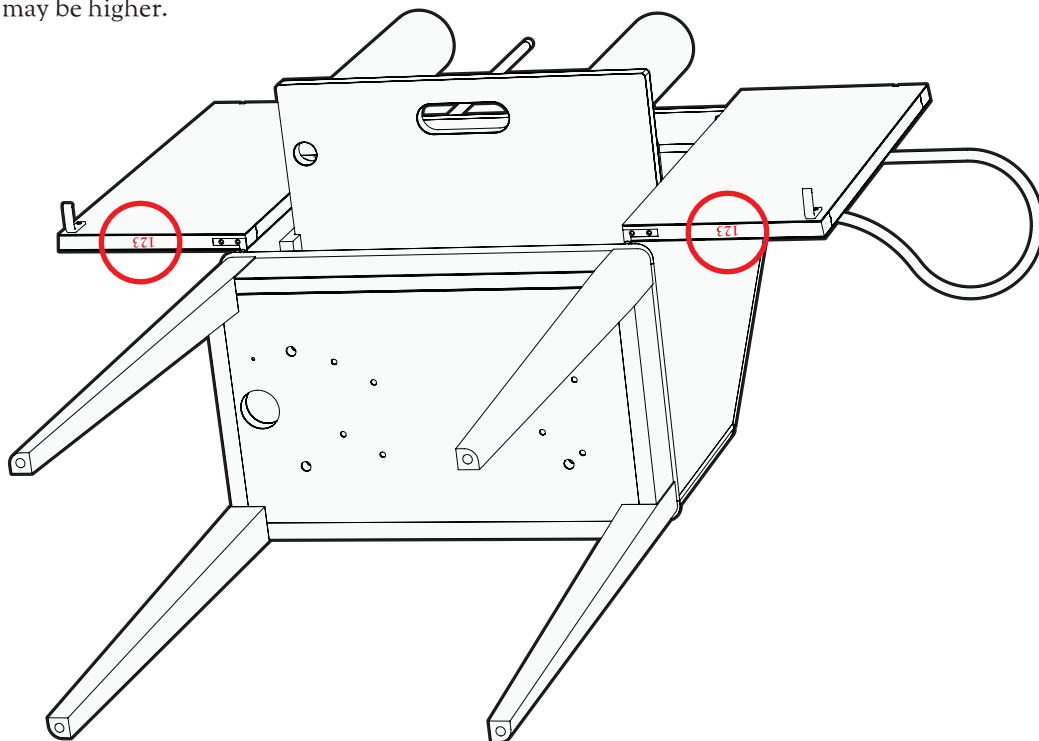


The serial number will appear in only one of these two locations.

RCA Theremin, bird's eye view, with doors open and chassis board partially removed. Westinghouse serial is on the left, GE in the center.

CABINET NUMBER

The cabinet number is located under the back doors of the cabinet. It is stamped into the wood on both doors. It should be between 1 and 500, but may be higher.



RCA Theremin, worm's eye view, with doors open and chassis board partially removed.

DIFFERENCES BETWEEN GENERAL ELECTRIC & WESTINGHOUSE THEREMINS

RCA subcontracted the manufacturing of the theremin to their two primary U.S. suppliers: General Electric, located in Schenectady, New York, and Westinghouse, located in Springfield, Massachusetts. GE built 300 Theremins, and Westinghouse made 200. Since they were made in different factories, there exist a few distinguishing features that make identifying the subcontractor easy. These are listed below.

It should be noted that only the chassis serial number is the most trusted proof of factory origin, since replacements and restorations over the years may have obscured some of the normal identifying features.

The chassis serial number will help us identify the RCA subcontractor as well as a particular theremin's sequence in the production. The cabinet number, which is stamped into the bottom of each door, is unrelated to the factory that produced the working parts of the instrument.

GENERAL ELECTRIC

100XXX serials

Serial stamped in front of "V4" 227

Black phenolic 3 inch coil forms

Ceramic trimmers mounted with screw

Volume trimmer mounted "inside" of chassis

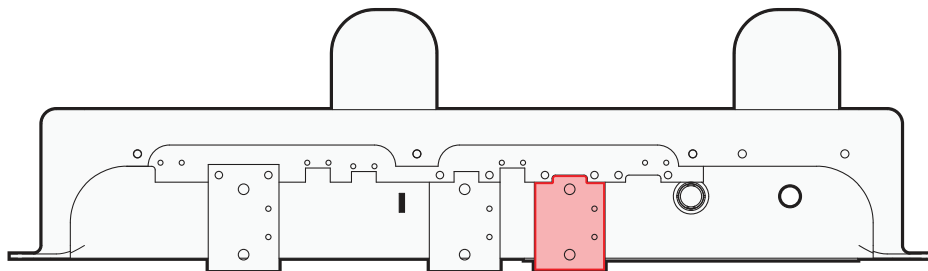
Chassis board screwed from sides, pocketed

SPU labels: "UX-280" and "110-V" in white

Volume coil mounting nuts: 1/4" width.

Hexagonal antenna nuts

Gold label on upper right corner of inside of door



The placement of the white ceramic volume trimmers on a GE theremin.

WESTINGHOUSE

200XXX serials

Serial stamped in front of "V1" 227

Brown phenolic 3 inch coil forms

Ceramic trimmers riveted to metal strip

Volume trimmer mounted "outside" of chassis

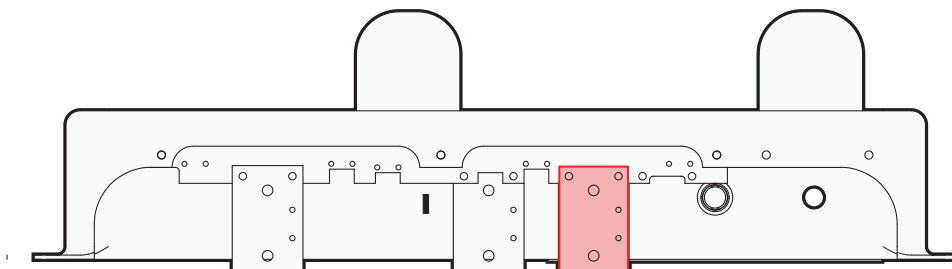
Chassis board screwed from top

SPU labels: "UX-280" "120 V" and "110 V" stamped

Volume coil mounting nuts: 5/16" width

Octagonal antenna nuts

Gold label centered at top of inside of door



The placement of the white ceramic volume trimmers on a Westinghouse theremin.